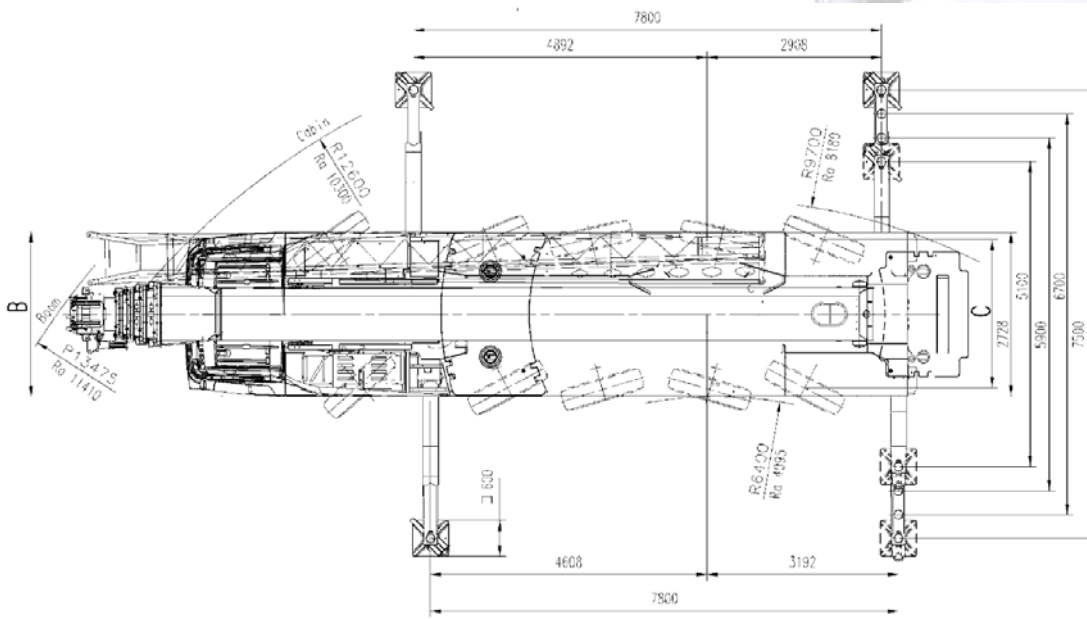
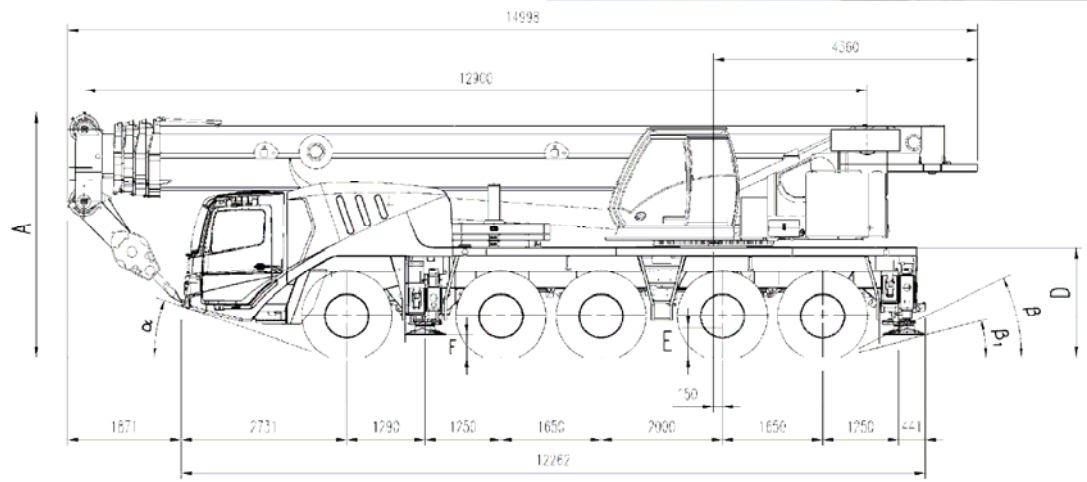


Grove GMK5110-1

110 tonne All Terrain Crane



	A	A 130mm*	B	C	D	E	F	α	β	β_1
16.00 R25	3998	3868	3000	2486	1798	485	386	20	25	19

GROVE GMK5110-1 DATA SHEET

Gross Vehicle Weight (as travels)	80.0t
Axle Weight	16.0t
Steering Axles	5 of 5
Drive Axles	3 of 5
Outrigger Floats Supplied	1.0m x 2.0m
Maximum Ground Bearing Force by 1 Stabiliser	70t
Counterweight (as Travels)	23.5t
Hookblocks Supplied (& Weight)	8t (0.2t), 20t (0.325t), 50t (0.675t)
Additional Hookblocks Available & Weight	75t (0.85t)

Grove GMK5110-1

110 tonne All Terrain Crane

GROVE GMK5110-1											
40,1t Counterweight – Outrigger Base 7.80m x 7.50m – 360° Slew Range – Main Boom – EN13000											
Boom -	*12,90m	12,90m	17,57m to 17,68m	22,24m to 22,43m	26,97m to 27,16m	31,69m to 31,83m	36,44m to 36,62m	41,19m to 41,73m	45,98m to 46,09m	50,77m	Rad. m
Rad. m	t	t	t	t	t	t	t	t	t	t	Rad. m
2.5	110.0	-	-	-	-	-	-	-	-	-	2.5
3.0	95.0	94.0	86.0	81.5	65.0	-	-	-	-	-	3.0
4.0	81.5	79.5	77.0	72.0	65.0	50.0	-	-	-	-	4.0
5.0	71.0	68.5	68.5	64.5	61.0	50.0	36.0	-	-	-	5.0
6.0	62.5	60.0	60.5	58.5	55.5	47.5	36.0	26.5	-	-	6.0
7.0	55.5	53.0	53.5	53.0	51.0	45.0	34.5	26.5	20.0	-	7.0
8.0	48.5	47.0	48.0	48.0	46.5	42.5	32.5	26.5	20.0	15.5	8.0
9.0	41.5	41.5	43.0	43.0	42.5	40.0	30.5	26.5	20.0	15.5	9.0
10.0	32.0	32.0	39.0	39.0	38.5	37.5	28.5	25.0	20.0	15.5	10.0
11.0	-	-	35.5	35.5	35.0	35.5	26.5	23.5	20.0	15.5	11.0
12.0	-	-	32.5	32.5	32.0	33.0	25.0	22.5	20.0	15.5	12.0
13.0	-	-	30.0	30.0	29.5	30.0	23.5	21.0	19.1	15.5	13.0
14.0	-	-	25.0	27.5	27.0	28.0	22.0	19.9	18.2	15.5	14.0
15.0	-	-	-	24.5	25.0	25.0	20.5	18.8	17.3	15.5	15.0
16.0	-	-	-	22.0	23.0	22.5	19.5	17.8	16.5	15.4	16.0
18.0	-	-	-	18.9	19.3	18.8	17.4	16.0	15.0	14.2	18.0
20.0	-	-	-	-	16.4	15.9	15.4	14.4	13.3	12.8	20.0
22.0	-	-	-	-	14.2	13.6	13.7	12.9	12.1	11.7	22.0
24.0	-	-	-	-	11.1	11.8	12.4	11.4	11.1	10.7	24.0
26.0	-	-	-	-	-	10.6	10.9	10.1	10.2	9.9	26.0
28.0	-	-	-	-	-	10.0	9.6	9.5	9.5	9.1	28.0
30.0	-	-	-	-	-	-	8.5	8.7	8.6	8.2	30.0
32.0	-	-	-	-	-	-	7.6	7.8	7.7	7.3	32.0
34.0	-	-	-	-	-	-	-	6.9	6.9	6.5	34.0
36.0	-	-	-	-	-	-	-	6.2	6.2	5.7	36.0
38.0	-	-	-	-	-	-	-	5.4	5.5	5.1	38.0
40.0	-	-	-	-	-	-	-	-	5.0	4.5	40.0
42.0	-	-	-	-	-	-	-	-	4.5	4.0	42.0
44.0	-	-	-	-	-	-	-	-	-	3.6	44.0
46.0	-	-	-	-	-	-	-	-	-	3.2	46.0

GROVE GMK5110-1											
28,5t Counterweight – Outrigger Base 7.80m x 7.50m – 360° Slew Range – Main Boom – EN13000											
Boom -	12,90m	17,57m to 17,68m	22,24m to 22,43m	26,97m to 27,16m	31,69m to 31,83m	36,44m to 36,62m	41,19m to 41,73m	45,98m to 46,09m	50,77m	Rad. m	
Rad. m	t	t	t	t	t	t	t	t	t	Rad. m	
2.5	-	-	-	-	-	-	-	-	-	2.5	
3.0	93.0	86.0	81.5	65.0	-	-	-	-	-	3.0	
4.0	78.5	77.0	72.0	65.0	50.0	-	-	-	-	4.0	
5.0	67.5	68.0	64.5	61.0	50.0	36.0	-	-	-	5.0	
6.0	58.5	59.0	58.0	55.5	47.5	36.0	26.5	-	-	6.0	
7.0	51.5	52.0	52.0	51.0	45.0	34.5	26.5	20.0	-	7.0	
8.0	45.5	46.5	46.5	46.0	42.5	32.5	26.5	20.0	15.5	8.0	
9.0	41.0	41.5	41.5	40.0	39.5	30.5	26.5	20.0	15.5	9.0	
10.0	32.0	37.5	37.5	35.0	34.5	28.5	25.0	20.0	15.5	10.0	
11.0	-	32.5	32.5	31.5	30.5	26.5	23.5	20.0	15.5	11.0	
12.0	-	28.0	28.0	29.0	27.5	25.0	22.5	20.0	15.5	12.0	
13.0	-	25.0	24.5	25.5	24.5	23.0	21.0	19.1	15.5	13.0	
14.0	-	22.5	23.0	23.0	22.0	21.0	19.9	18.2	15.5	14.0	
15.0	-	-	20.5	20.5	19.9	19.0	18.6	17.3	15.5	15.0	
16.0	-	-	18.6	18.5	17.9	17.8	17.0	16.5	15.4	16.0	
18.0	-	-	15.4	15.3	14.7	15.4	14.4	14.3	14.2	18.0	
20.0	-	-	-	12.8	13.3	13.0	12.6	12.9	12.4	20.0	
22.0	-	-	-	10.9	11.5	11.0	11.3	11.2	10.8	22.0	
24.0	-	-	-	9.9	10.0	9.6	9.9	9.7	9.3	24.0	
26.0	-	-	-	-	8.7	8.9	8.6	8.4	8.0	26.0	
28.0	-	-	-	-	7.6	7.8	7.5	7.3	6.9	28.0	
30.0	-	-	-	-	-	6.9	6.6	6.4	6.0	30.0	
32.0	-	-	-	-	-	6.1	5.8	5.6	5.2	32.0	
34.0	-	-	-	-	-	-	5.2	4.9	4.5	34.0	
36.0	-	-	-	-	-	-	4.6	4.3	3.9	36.0	
38.0	-	-	-	-	-	-	4.1	3.8	3.4	38.0	
40.0	-	-	-	-	-	-	-	3.3	2.9	40.0	
42.0	-	-	-	-	-	-	-	2.9	2.5	42.0	
44.0	-	-	-	-	-	-	-	-	2.1	44.0	
46.0	-	-	-	-	-	-	-	-	1.8	46.0	

Grove GMK5110-1

110 tonne All Terrain Crane

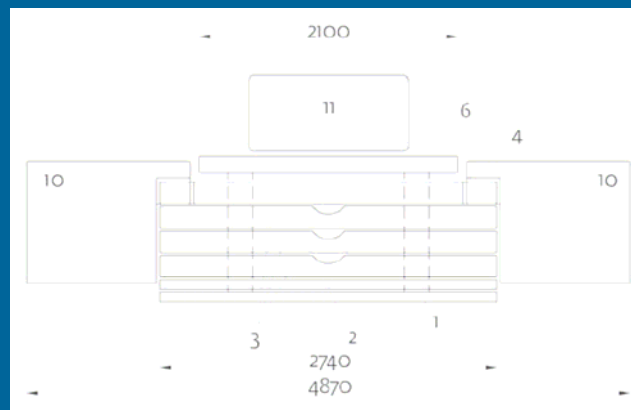
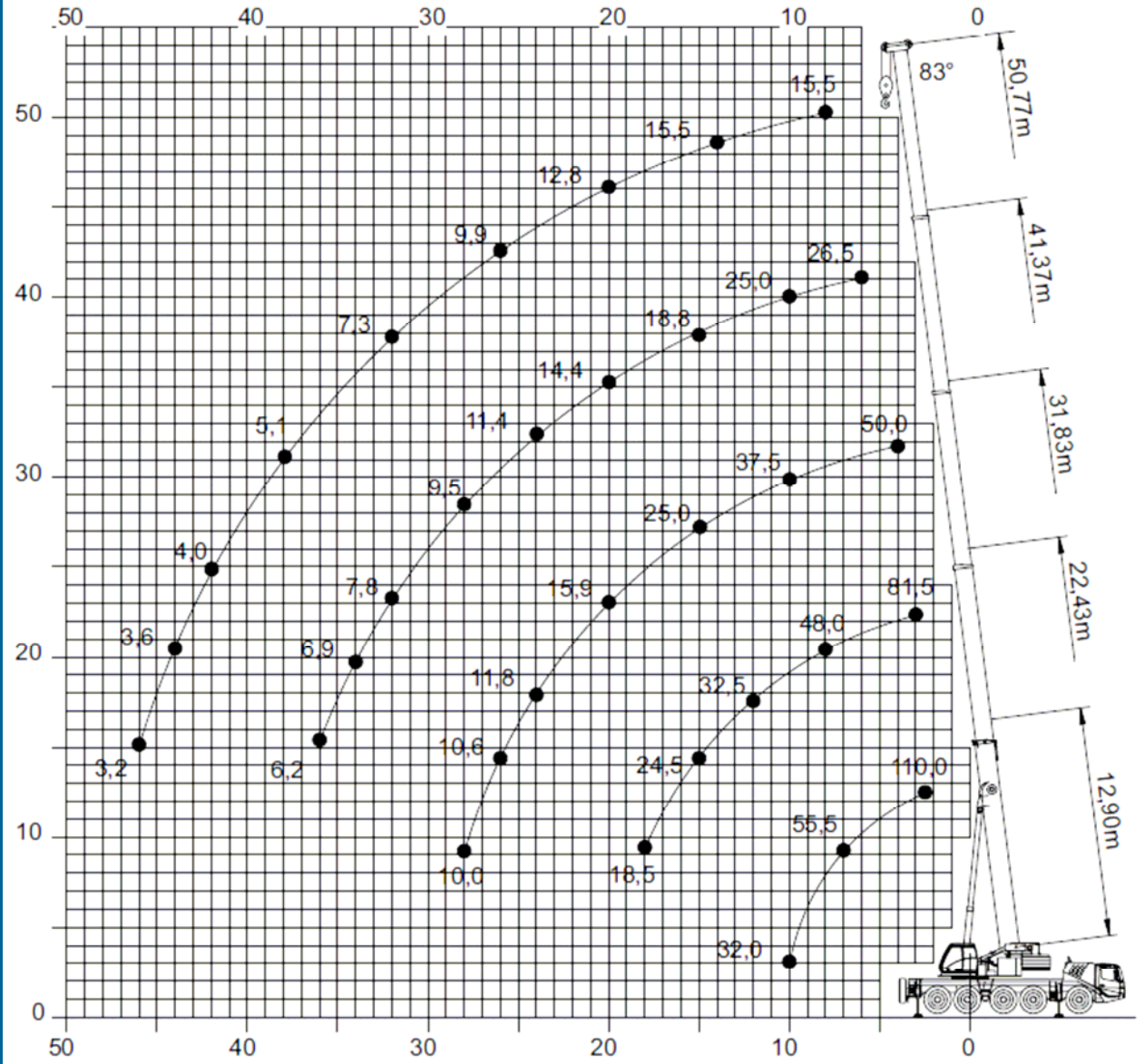
GROVE GMK5110-1										
23,5t Counterweight – Outrigger Base 7.80m x 7.50m – 360° Slew Range – Main Boom – EN13000										
Boom -	12,90m	17,57m to 17,68m	22,24m to 22,43m	26,97m to 27,16m	31,69m to 31,83m	36,44m to 36,62m	41,19m to 41,73m	45,98m to 46,09m	50,77m	
Rad. m	t	t	t	t	t	t	t	t	t	Rad. m
3.0	92.5	86.0	81.5	65.0	-	-	-	-	-	3.0
4.0	78.0	77.0	72.0	65.0	50.0	-	-	-	-	4.0
5.0	67.0	67.5	64.5	61.0	50.0	36.0	-	-	-	5.0
6.0	58.0	58.5	58.0	55.5	47.5	36.0	26.5	-	-	6.0
7.0	51.0	51.5	51.5	50.5	45.0	34.5	26.5	20.0	-	7.0
8.0	45.0	45.5	45.5	42.0	41.0	32.5	26.5	20.0	15.5	8.0
9.0	39.0	40.0	39.0	36.5	35.5	30.5	26.5	20.0	15.5	9.0
10.0	32.0	34.0	34.0	33.5	31.0	28.5	25.0	20.0	15.5	10.0
11.0	-	29.5	29.0	29.5	27.5	25.5	23.5	20.0	15.5	11.0
12.0	-	26.0	26.5	26.0	24.5	23.0	22.0	20.0	15.5	12.0
13.0	-	22.5	23.0	23.0	22.0	20.5	19.9	19.1	15.5	13.0
14.0	-	20.0	20.5	20.5	19.8	19.7	18.0	17.8	15.5	14.0
15.0	-	-	18.4	18.3	17.7	18.2	16.4	16.6	15.5	15.0
16.0	-	-	16.6	16.5	16.2	16.6	15.4	15.8	14.9	16.0
18.0	-	-	13.7	13.5	14.2	13.7	13.8	13.5	12.6	18.0
20.0	-	-	-	11.6	11.9	11.4	11.9	11.6	10.8	20.0
22.0	-	-	-	10.4	10.2	10.3	10.1	9.9	9.3	22.0
24.0	-	-	-	9.0	8.7	9.0	8.7	8.4	8.0	24.0
26.0	-	-	-	-	7.8	7.8	7.5	7.3	6.8	26.0
28.0	-	-	-	-	6.8	6.8	6.5	6.3	5.8	28.0
30.0	-	-	-	-	-	5.9	5.7	5.4	5.0	30.0
32.0	-	-	-	-	-	5.2	4.9	4.7	4.3	32.0
34.0	-	-	-	-	-	-	4.3	4.1	3.7	34.0
36.0	-	-	-	-	-	-	3.8	3.5	3.1	36.0
38.0	-	-	-	-	-	-	3.3	3.0	2.6	38.0
40.0	-	-	-	-	-	-	-	2.6	2.2	40.0
42.0	-	-	-	-	-	-	-	2.2	1.8	42.0
44.0	-	-	-	-	-	-	-	-	1.5	44.0
46.0	-	-	-	-	-	-	-	-	1.2	46.0

GROVE GMK5110-1										
40,1t Counterweight – Outrigger Base 7.80m x 7.50m – 360° Slew Range – Main Boom & Fly Jib – EN13000										
Fly Jib -	11m			18m						
Boom -	50,77m			45,98m to 46,09m			50,77m			- Boom
Offset -	0°	20°	40°	0°	20°	40°	0°	20°	40°	- Offset
Rad. m	t	t	t	t	t	t	t	t	t	Rad. m
8.0	-	-	-	5.7	-	-	-	-	-	8.0
9.0	8.2	-	-	5.6	-	-	5.0	-	-	9.0
10.0	8.2	-	-	5.6	-	-	5.0	-	-	10.0
11.0	8.2	-	-	5.6	-	-	5.0	-	-	11.0
12.0	8.2	8.2	-	5.5	-	-	5.0	-	-	12.0
13.0	8.2	8.2	-	5.5	5.0	-	5.0	-	-	13.0
14.0	8.2	8.2	8.0	5.4	5.0	-	4.9	4.6	-	14.0
15.0	8.2	8.2	7.9	5.4	5.0	-	4.9	4.6	-	15.0
16.0	8.2	8.2	7.9	5.4	4.9	-	4.9	4.6	-	16.0
18.0	8.2	8.2	7.9	5.3	4.9	4.5	4.8	4.6	-	18.0
20.0	8.2	8.2	7.8	5.2	4.8	4.4	4.8	4.5	4.3	20.0
22.0	8.2	8.2	7.8	5.2	4.7	4.3	4.8	4.5	4.3	22.0
24.0	8.2	8.2	7.8	5.1	4.7	4.3	4.7	4.4	4.2	24.0
26.0	8.1	7.7	7.6	5.0	4.6	4.2	4.7	4.4	4.2	26.0
28.0	7.7	7.1	7.1	5.0	4.6	4.1	4.6	4.4	4.1	28.0
30.0	7.2	6.5	6.5	4.9	4.5	4.1	4.6	4.3	4.1	30.0
32.0	6.6	6.2	6.2	4.8	4.4	4.0	4.5	4.3	4.0	32.0
34.0	6.0	5.9	5.9	4.8	4.3	4.0	4.5	4.3	4.0	34.0
36.0	5.6	5.6	5.6	4.7	4.3	3.9	4.5	4.2	3.9	36.0
38.0	5.1	5.3	5.4	4.6	4.2	3.9	4.4	4.2	3.9	38.0
40.0	4.5	4.7	4.9	4.5	4.2	3.9	4.4	4.1	3.9	40.0
42.0	4.0	4.2	4.3	4.2	4.1	3.9	4.3	4.1	3.9	42.0
44.0	3.5	3.7	3.8	3.9	4.0	3.8	3.9	4.0	3.8	44.0
46.0	3.1	3.3	3.3	3.7	3.7	3.8	3.5	3.8	3.8	46.0
48.0	2.7	2.9	2.9	3.5	3.5	3.6	3.1	3.4	3.6	48.0
50.0	2.4	2.5	-	3.1	3.4	3.5	2.7	3.0	3.2	50.0
52.0	2.1	2.2	-	2.8	3.0	3.1	2.4	2.7	2.8	52.0
54.0	1.8	1.8	-	2.5	2.7	-	2.1	2.3	2.4	54.0
56.0	1.5	-	-	2.3	2.4	-	1.8	2.0	2.1	56.0
58.0	-	-	-	2.0	2.1	-	1.6	1.7	-	58.0
60.0	-	-	-	-	-	-	1.4	1.5	-	60.0
62.0	-	-	-	-	-	-	1.1	1.2	-	62.0
64.0	-	-	-	-	-	-	0.9	-	-	64.0

Grove GMK5110-1

110 tonne All Terrain Crane

GROVE GMK5110-1
RANGE DIAGRAM
Main Boom



Grove GMK5110-1

110 tonne All Terrain Crane

GROVE GMK5110-1

RANGE DIAGRAM

Main Boom & Fly Jib (No Inserts Available)

